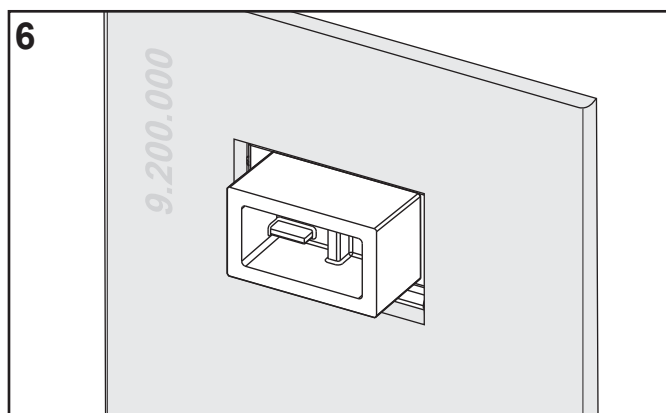
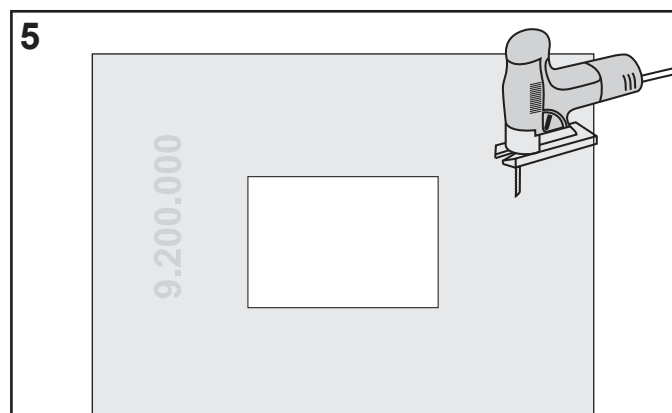
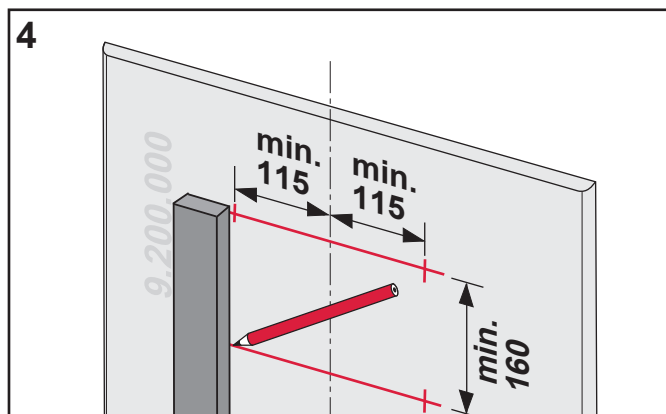
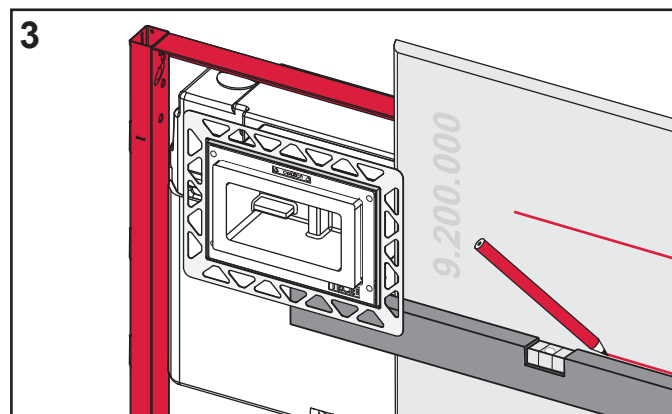
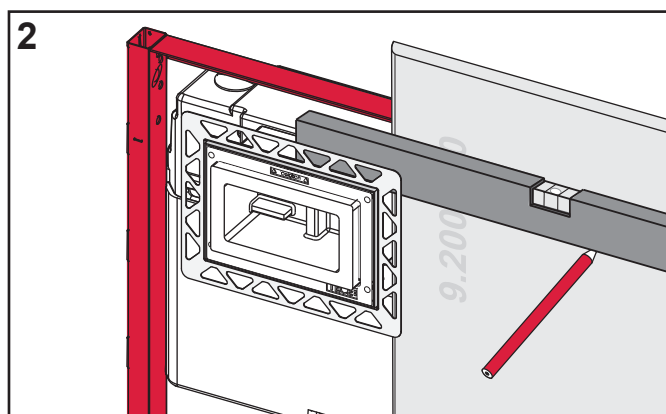
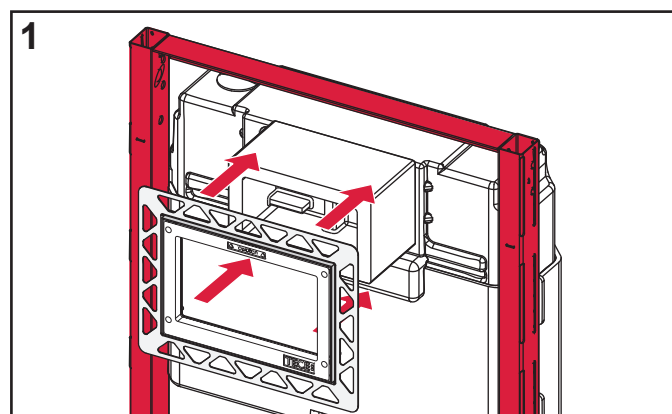
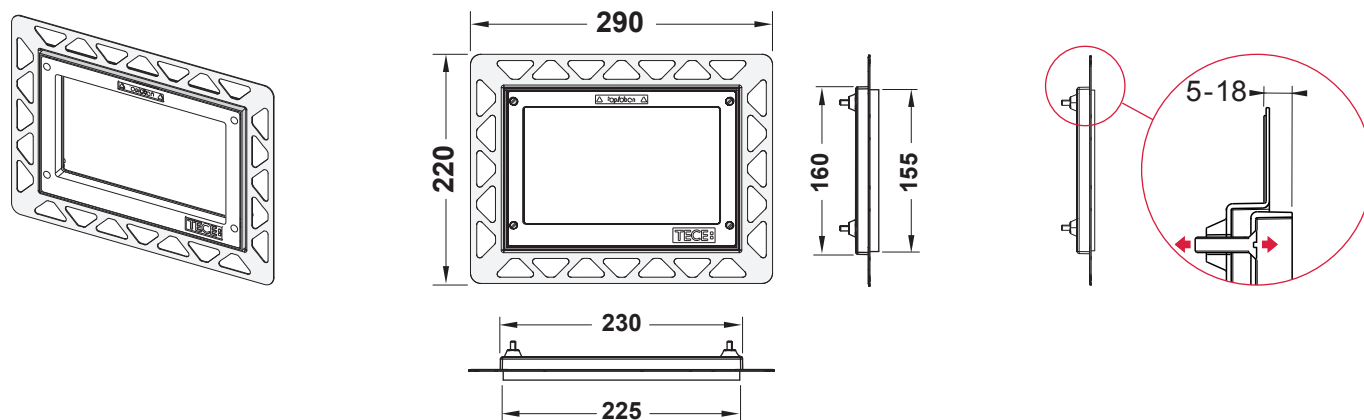
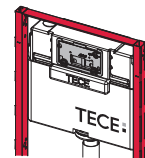
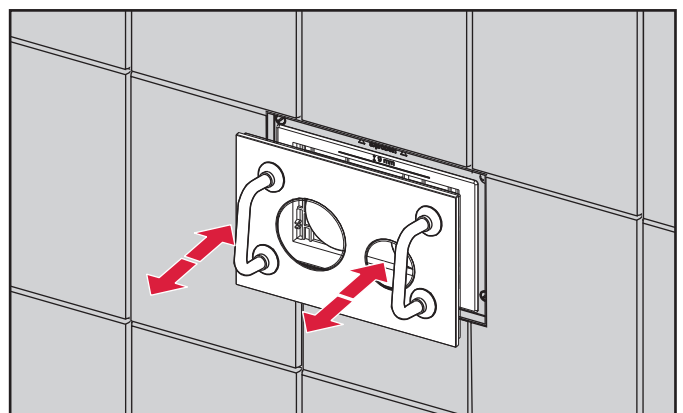
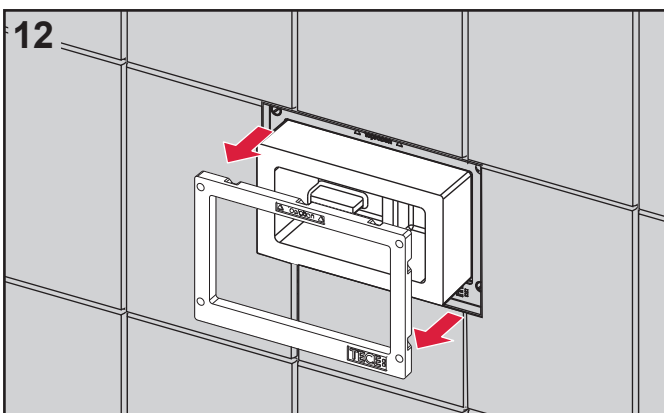
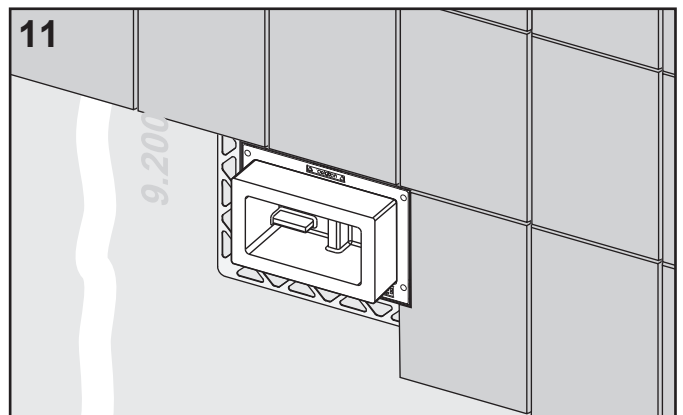
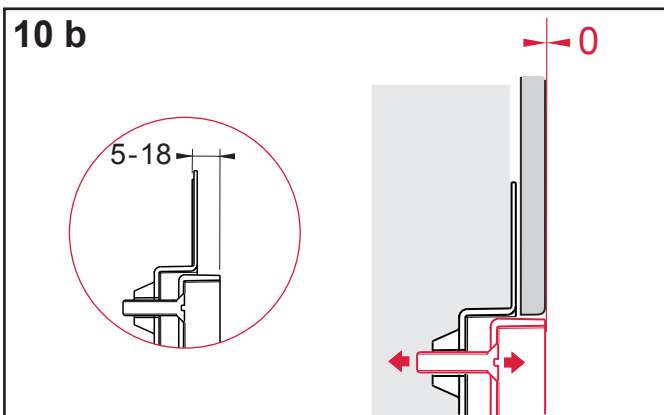
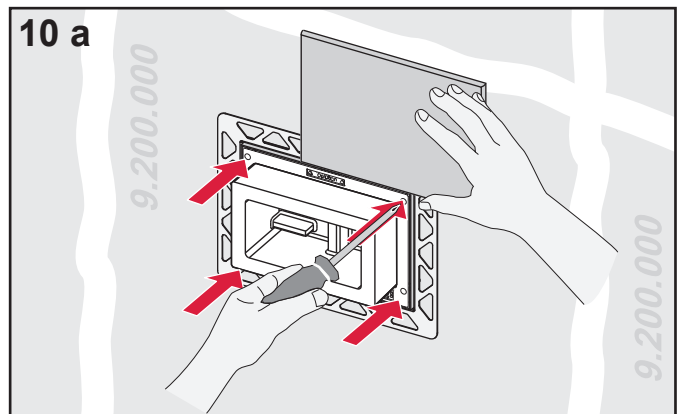
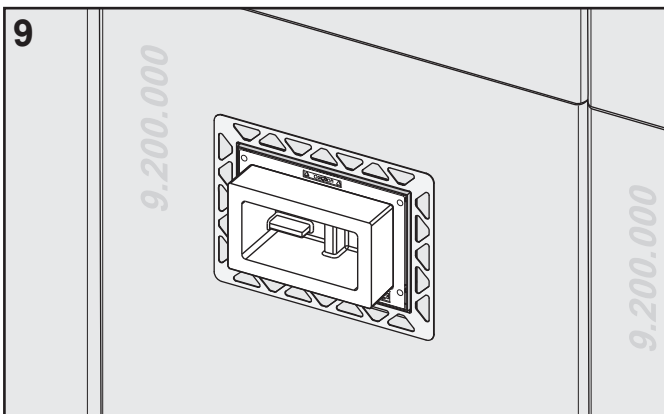
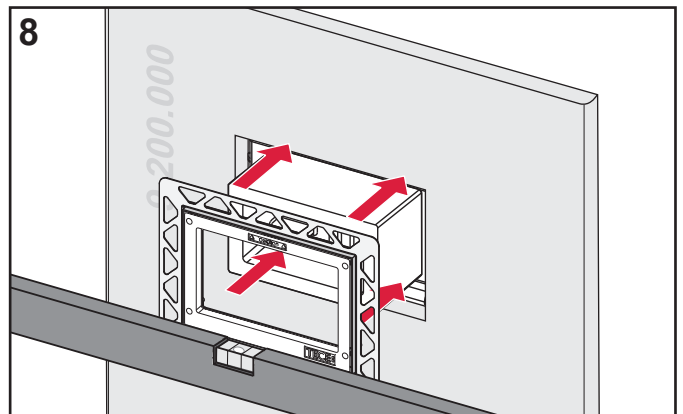
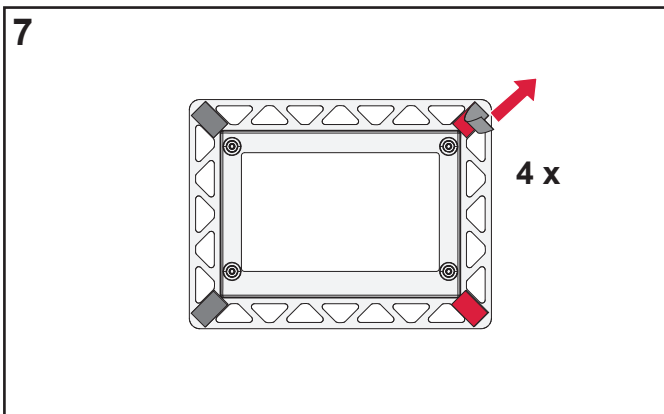
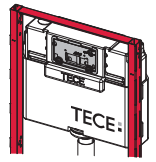
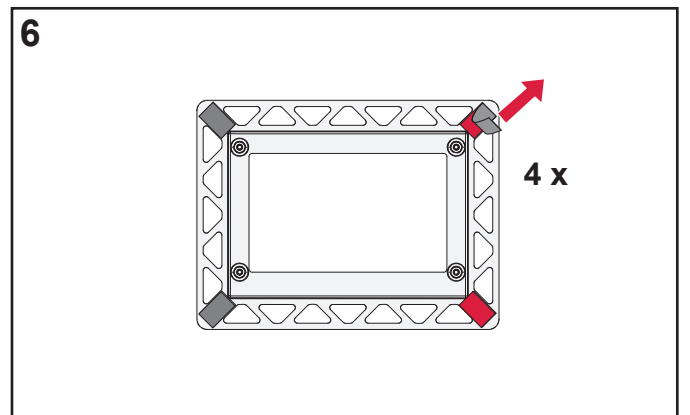
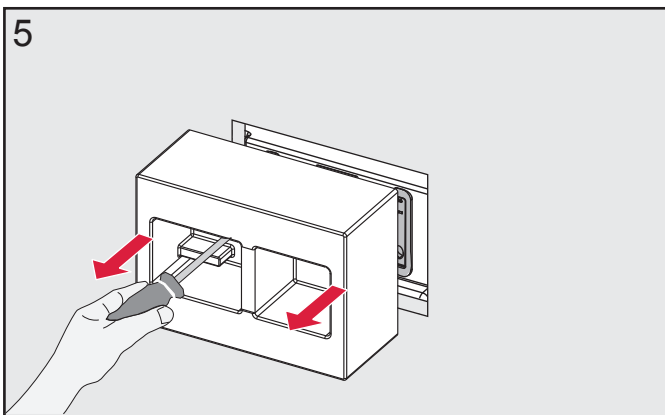
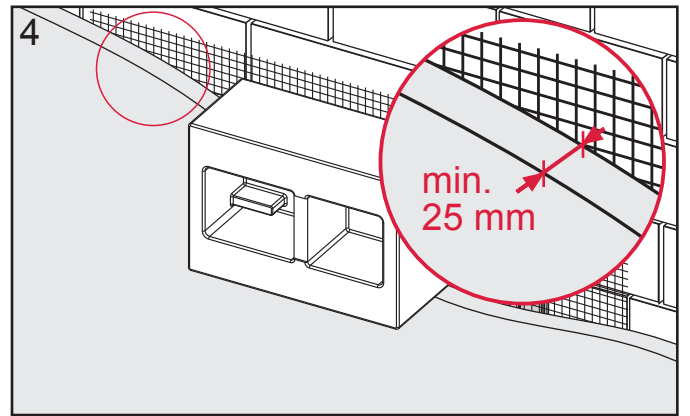
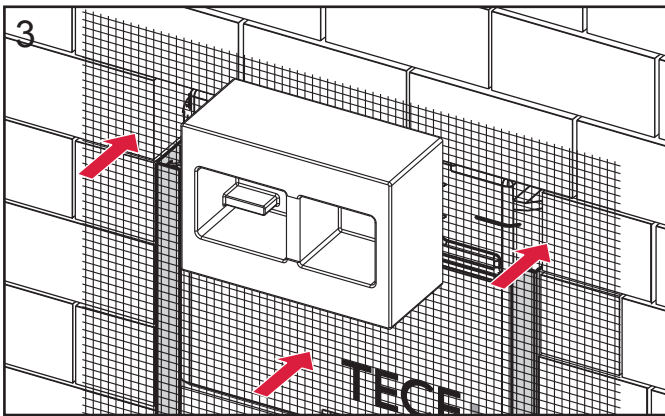
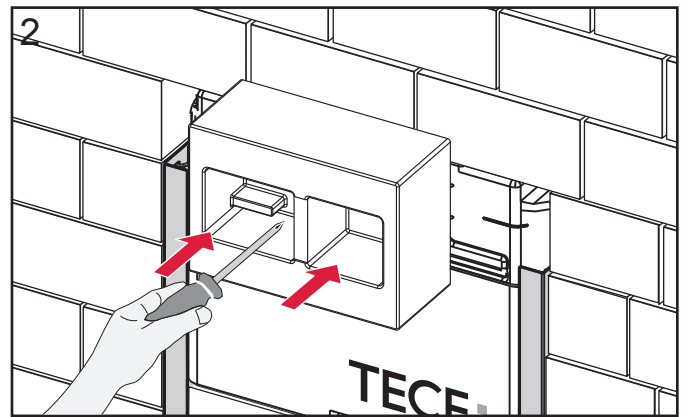
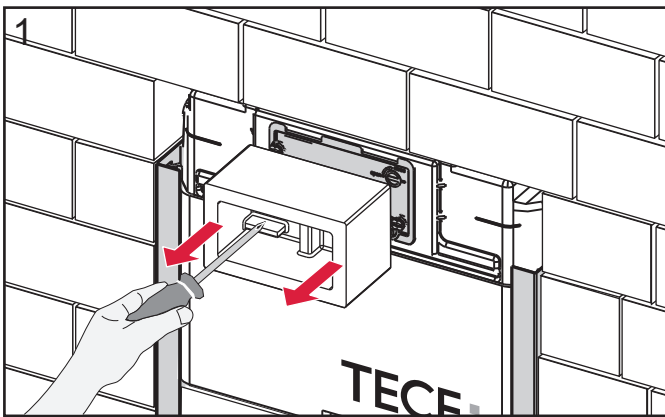
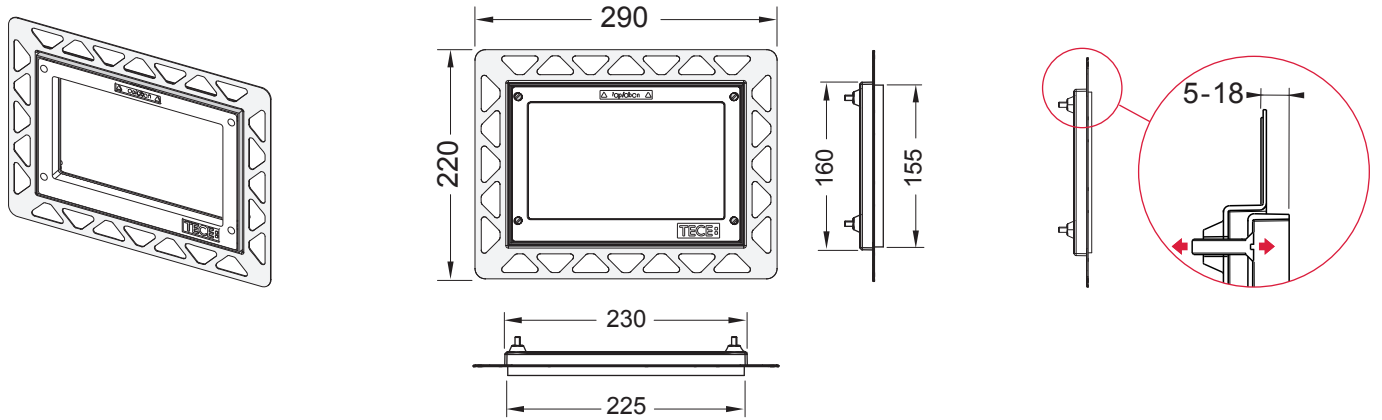
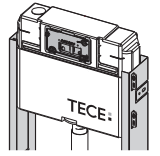


# TECEloop/TECEsquare – 9.240.646–9.240.649 + 9.300.0xx





# TECEloop/TECEsquare – 9.240.646–9.240.649 + 9.370.0xx



**TECE:**

